

VISOCALL IP Planning & Installation

The configuration of communication systems as well as the installation, commissioning and maintenance of the products (and the systems built with them) require special expertise and may therefore only be performed by trained specialist personnel.

For the detailed planning of the VISOCALL IP system, please refer to the technical documentation in the latest edition and the country-specific regulations and guidelines for the planning and installation of call systems.



Software



Staff Terminal & Staff Mobile

The VISOCALL IP Staff Terminal is used for the central query and processing of calls. The operation is carried out via a 7 inch touch screen with clearly structured, intuitive menu navigation, pictograms and plain text information. With the Staff Mobile, these functions are also available for mobile use.



Control panel

The ward and/or central control panel ensures a clear and simple PC-supported display and operation of the VISOCALL IP system. The graphic interface provides clear ward plans, interactive room buttons, event lists and context-related control buttons. It thus provides a clear overview at any time of the events occurring in the respective ward.



Event database

The VISOCALL IP event database supports the care documentation. All calls, presence of personnel and system events are recorded with time, date and corresponding information about the ward and the room name. The database can be searched for events depending on a time period and/or a location, whereby the display and evaluation of the server-side stored data takes place via a web browser.



System Monitor

The VISOCALL IP System Monitor is used for building service departments to evaluate system changes and fault memories or to display system faults. It has password-protected access and can manage several VISOCALL IP systems.



Audio Manager

The VISOCALL IP Audio Manager enables targeted announcements, voice prompts or calls to patients and staff. By assigning inputs, audio content can be sent to predefined wards and general announcements can be controlled by external systems.



Patient Management

VISOCALL IP Patient Management is used to collect, display and print important patient data, which should be displayed immediately on the screen when a phone call is received. The patient data is required for the entries in the event database, but can also be used optionally, e.g. for the recording and billing of fee data or for the detailed display of alarms from the RTL system.



SecoCareASSIST

The service call button on the patient terminals can be converted into a function key: After pressing the button, a menu appears in the display showing the configured additional call types (e.g. request for service and auxiliary personnel, bed cleaning, etc.).

VISOCALL IP



HEALTH CARE

SCHRACK SECONET

www.schrack-seconet.com

Future-proof through IP technology VISOCALL IP



The increasing demands of a modern hospital require intelligent solutions for planning, implementation and future expansion. Conventional systems no longer meet these requirements in terms of functionality and life-cycle costs. System integration with mature IP technology creates new possibilities:

- A powerful network for a wide variety of services and functions avoids a large number of individual installations, cabling expenditure and investment costs.
- System integration offers higher availability and reduced maintenance and operating costs over the entire system life.
- Simple data exchange using the Internet protocol overcomes conventional barriers and enables the smooth interconnection of various trades.



- Nurse call
- Telephony
- Voice communication between patient and staff
- Announcements
- Provision of media content (radio, TV, video streaming, Internet, intranet)
- Control of light, blinds, TV
- Logging care data
- Cost accounting
- Connection of external systems (DECT, alarm server, fire alarm system, disorientation protection, ELA systems)
- Information from external devices (medical devices, sensor mats etc.)
- Cost-effective for installation and operation

Cost-effective for installation and operation

- Secure, modular and expandable system structure offers planning freedom for all functions and services in the nursing sector
- Plug & Play modules reduce commissioning and maintenance costs
- Durable and low-maintenance products

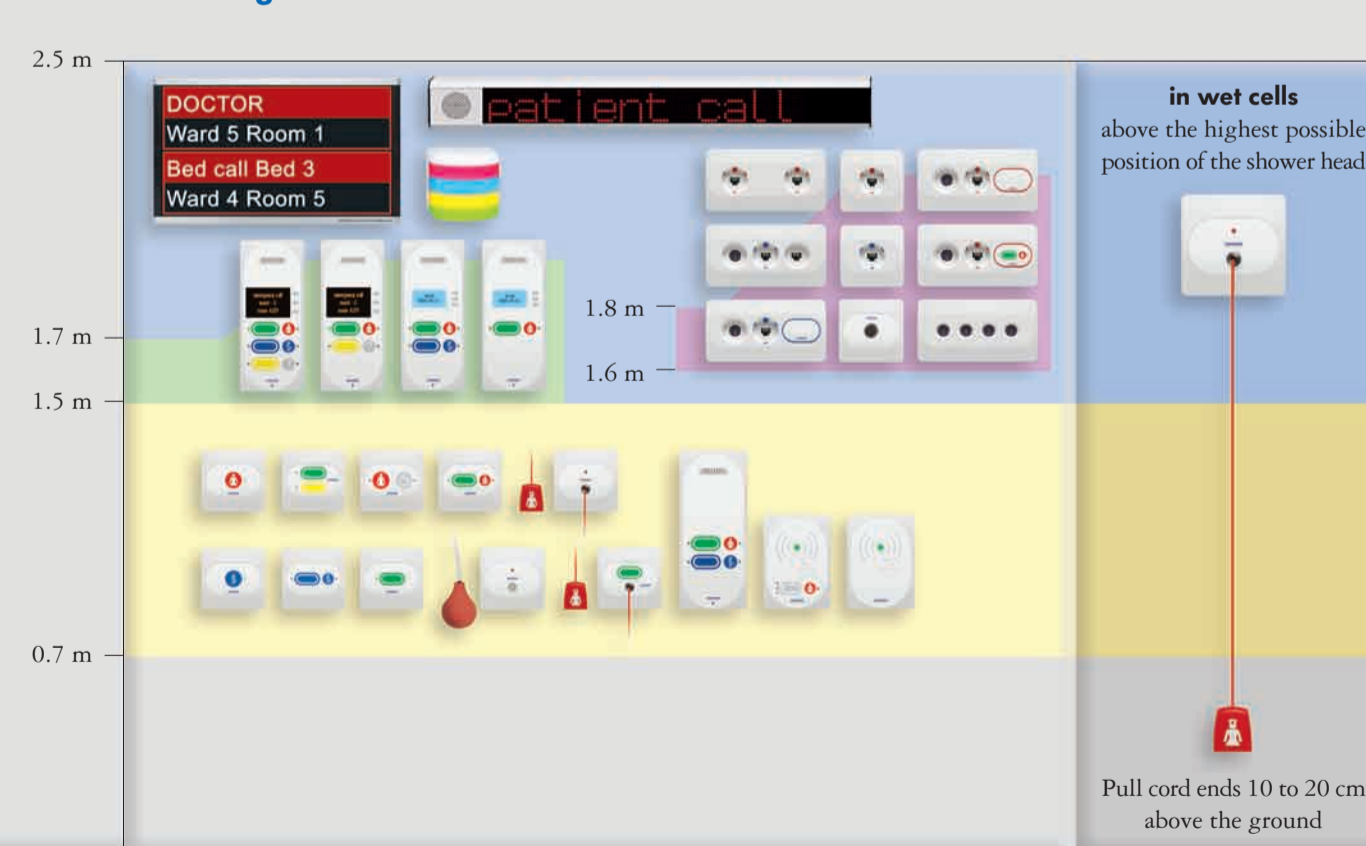
For all forms of organization in healthcare

- Suitable for centralized, decentralized and mixed organizational forms
- Care organization across ward boundaries
- Call prioritization for fast and targeted response (emergency calls, heart alarm, etc.)
- Large selection of devices for exact adaptation to the care needs
- Intuitively operable devices for staff and patients

Reliable, compliant with standards and safe

- Highest reliability due to decentralized, intelligent modules
- Redundant structures for uninterrupted system availability
- Clear prioritization of network services by means of quality of service
- Permanent and automatic function control
- VISOCALL IP is certified according to VDE 0834 and thus meets the highest requirements with regard to safety and reliability

Installation height

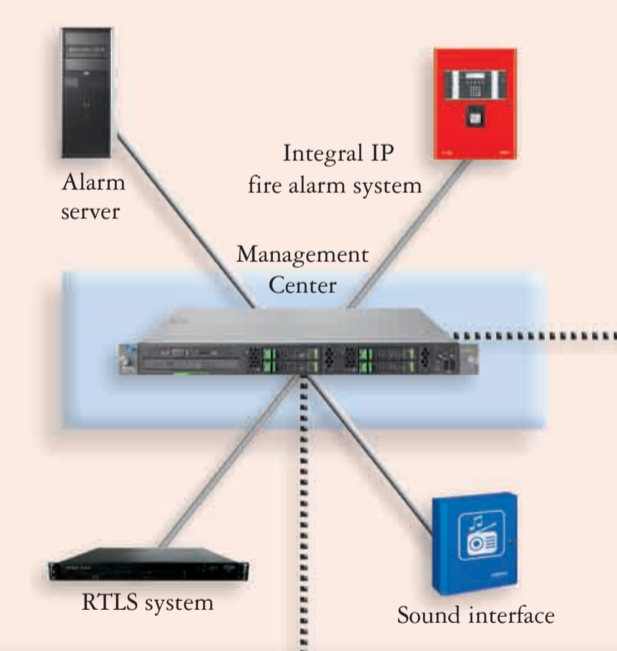


System limits

- In general:**
- max. 75 wards
 - max. 130 rooms per ward
 - max. 16 beds per room
 - max. 6 SW19 per cascade
 - max. 8 sum criteria per SW19
 - max. 2,000 IP components to one Management Center
 - max. 1,000 IP components to one Logical Delivery Point
- IP components:**
- max. 100 m cable from uplink
 - max. 100 m cable to KMT / DZT
 - max. 60 m cable to ST-TOUCH
 - max. 60 m to connection module / PAT
 - max. 7 PAT per SW19
- Staff Mobile:**
- max. 20 Staff Mobile per ward
 - max. 750 Staff Mobile per system
- IO-Bus:**
- max. 20 rooms without speech per SW19
 - max. 1,200 m cable length
 - max. 127 participants
 - max. 500 mA per IO-Bus
- Basic components:**
- max. 50 m cable length to basic components

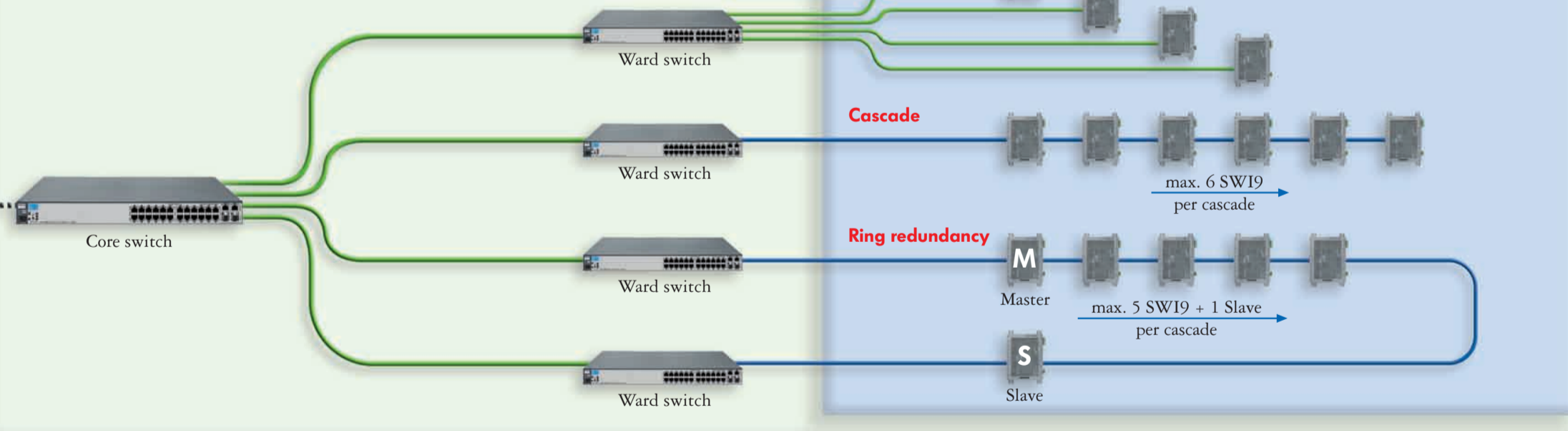
Networking

Interfaces to other systems



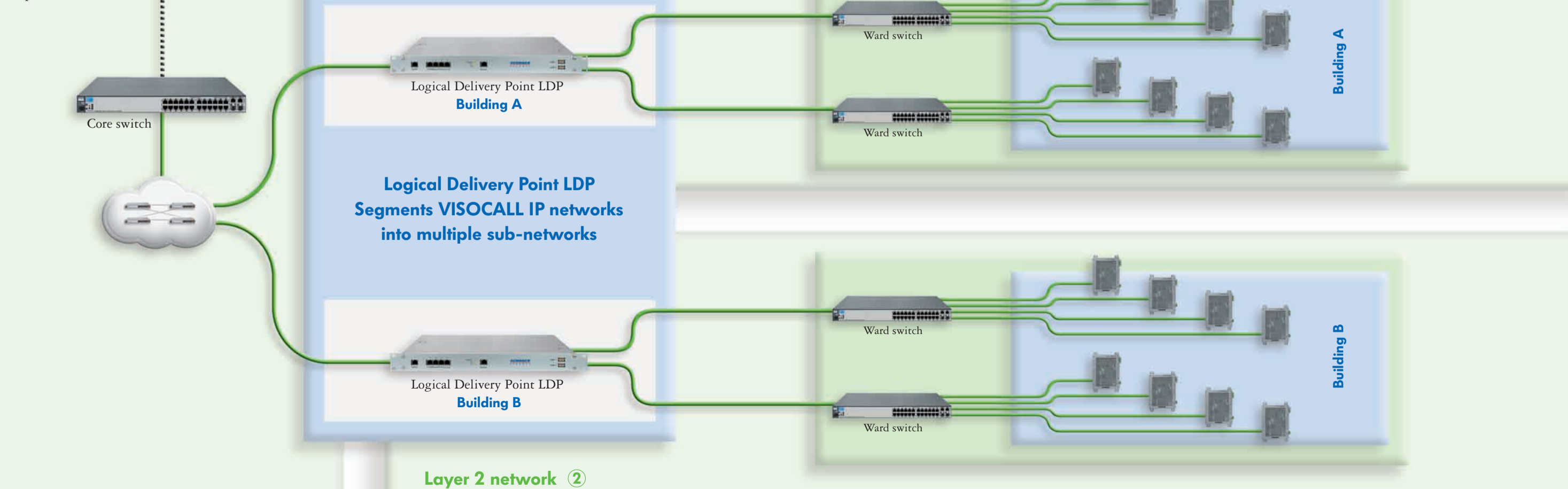
Layer 2 network

VISOCALL IP's own or customer-provided network structure – all VISOCALL IP components are located in the same network.

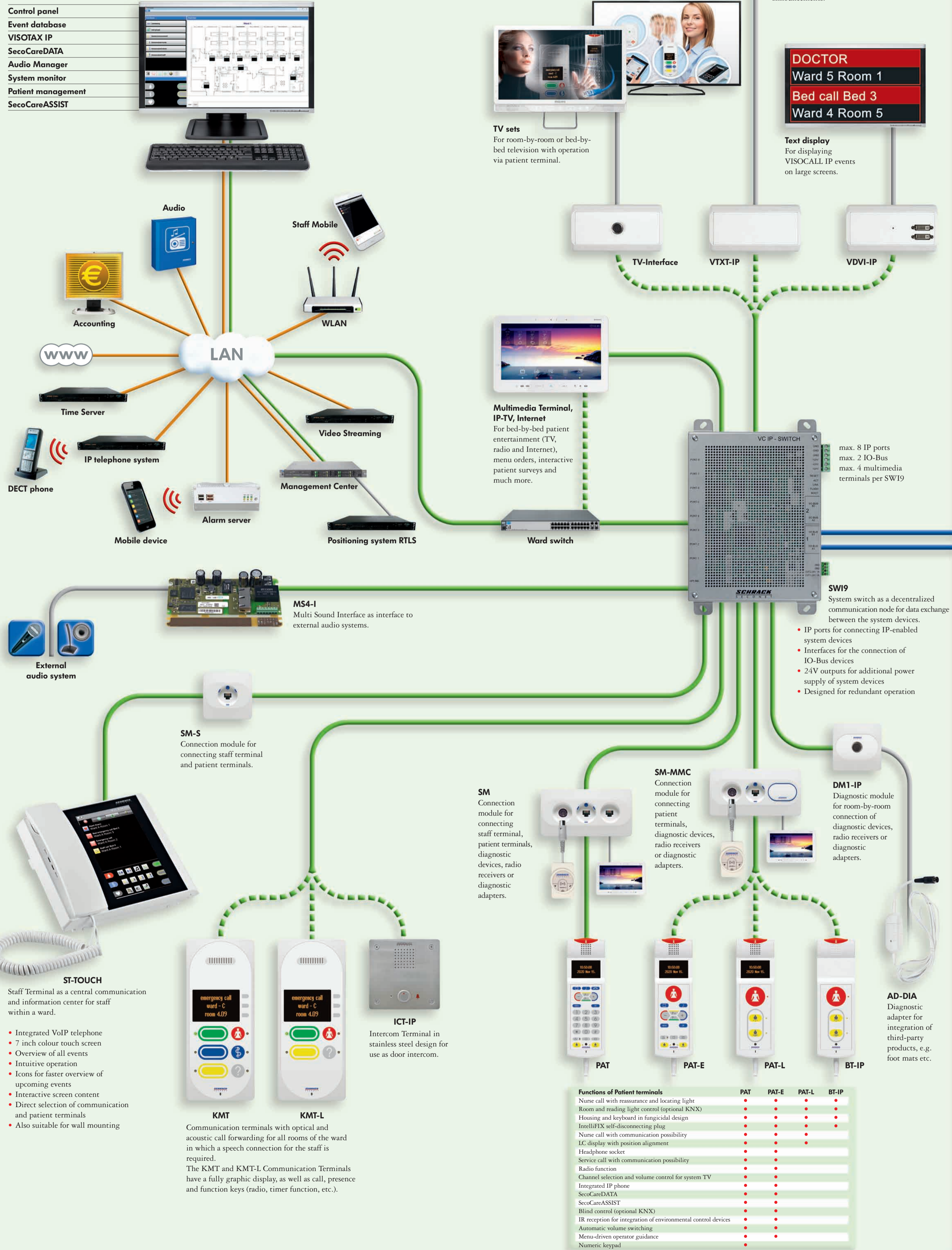


Layer 3 network

The VISOCALL IP components are located in separate networks.



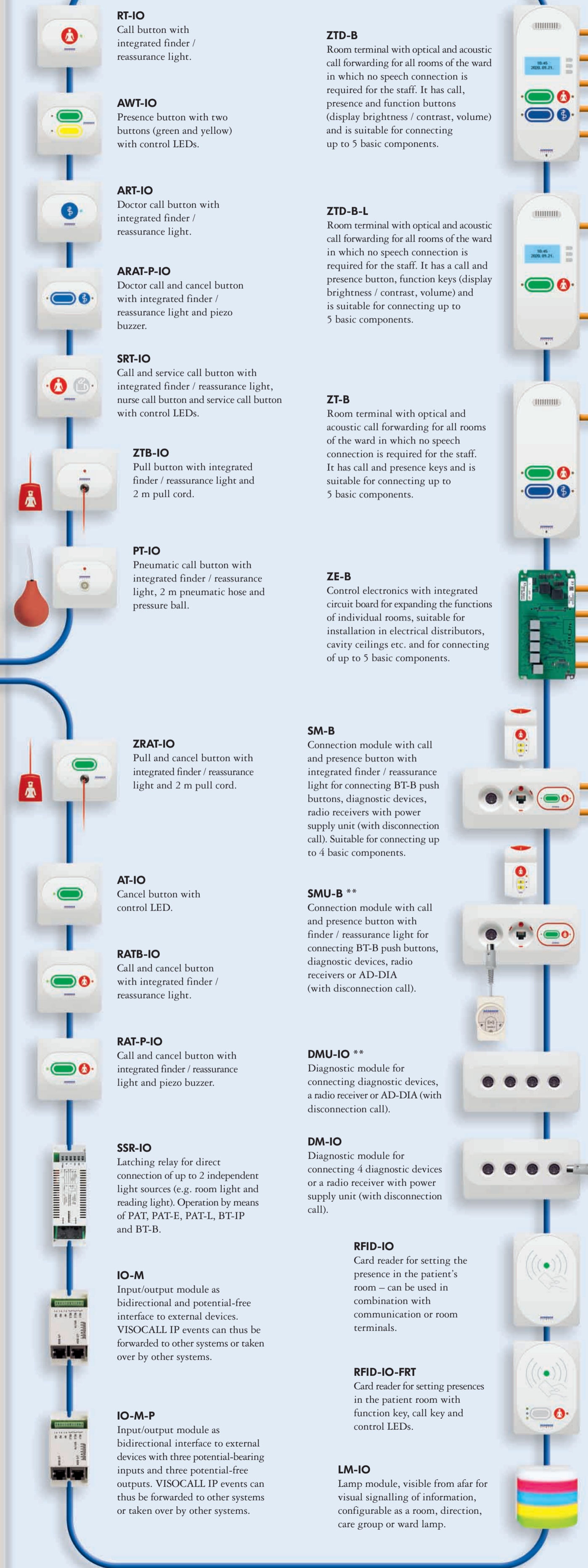
IP components



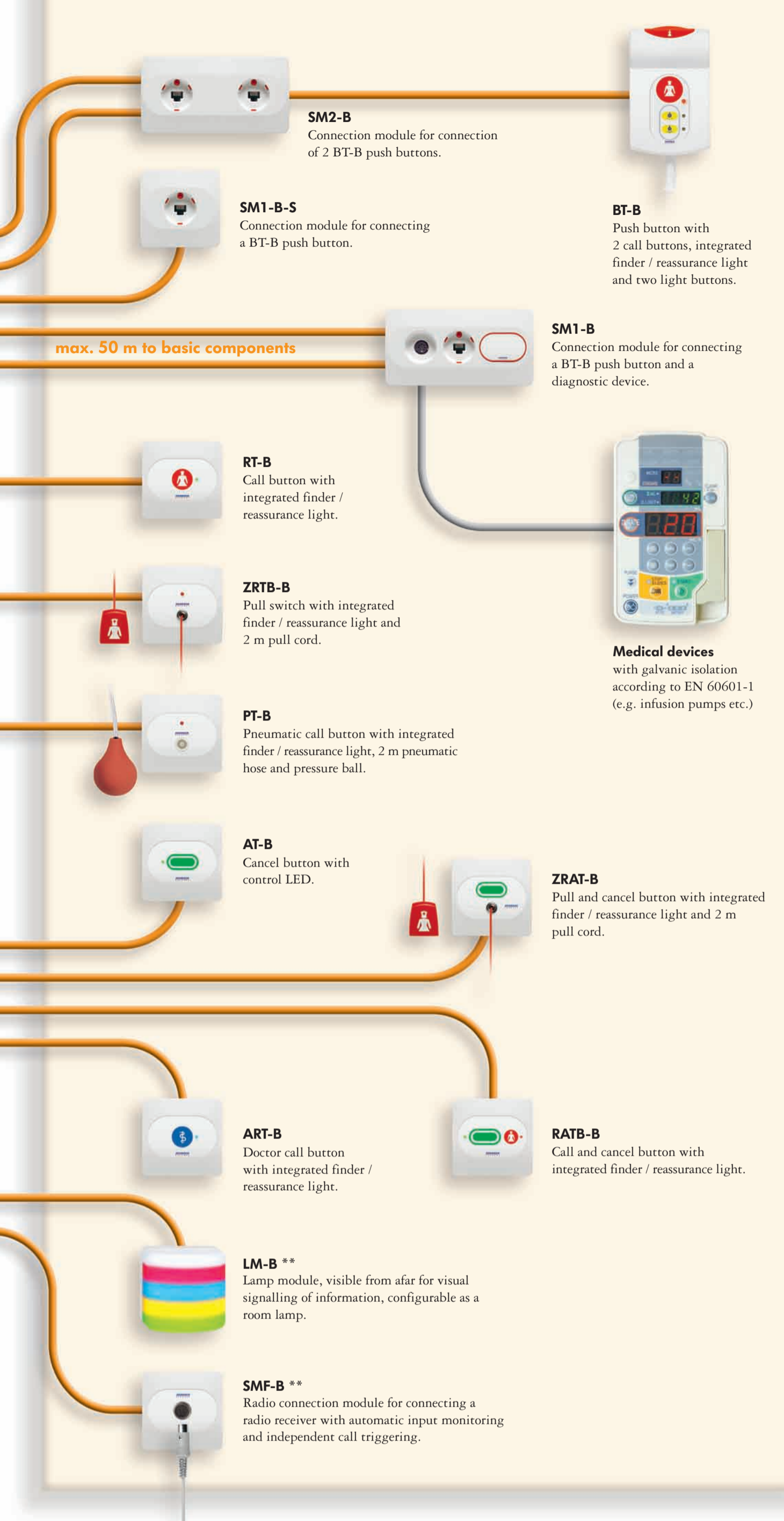
IO-Bus components

System devices such as call and cancel buttons, light modules etc. are connected to the SW19 system switch and thus to the VISOCALL IP network via the IO-data bus.

- max. 20 rooms without speech per SW19
- max. 1,200 m cable length
- max. 127 participants per IO-Bus
- max. 500 mA per IO-Bus



Basic components



Radio components



** These components require an additional power supply from the SW19 system switch or from the system power supply unit